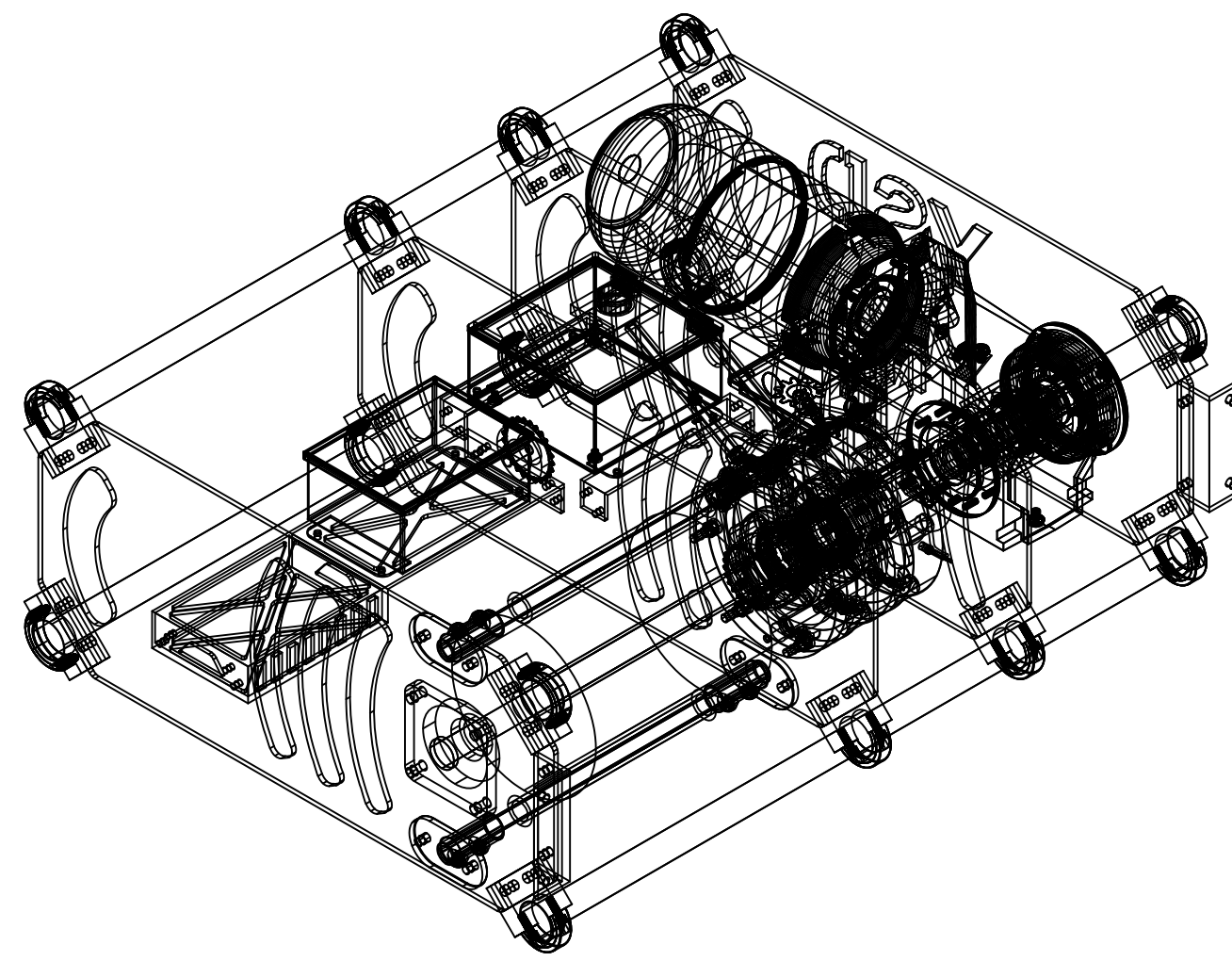
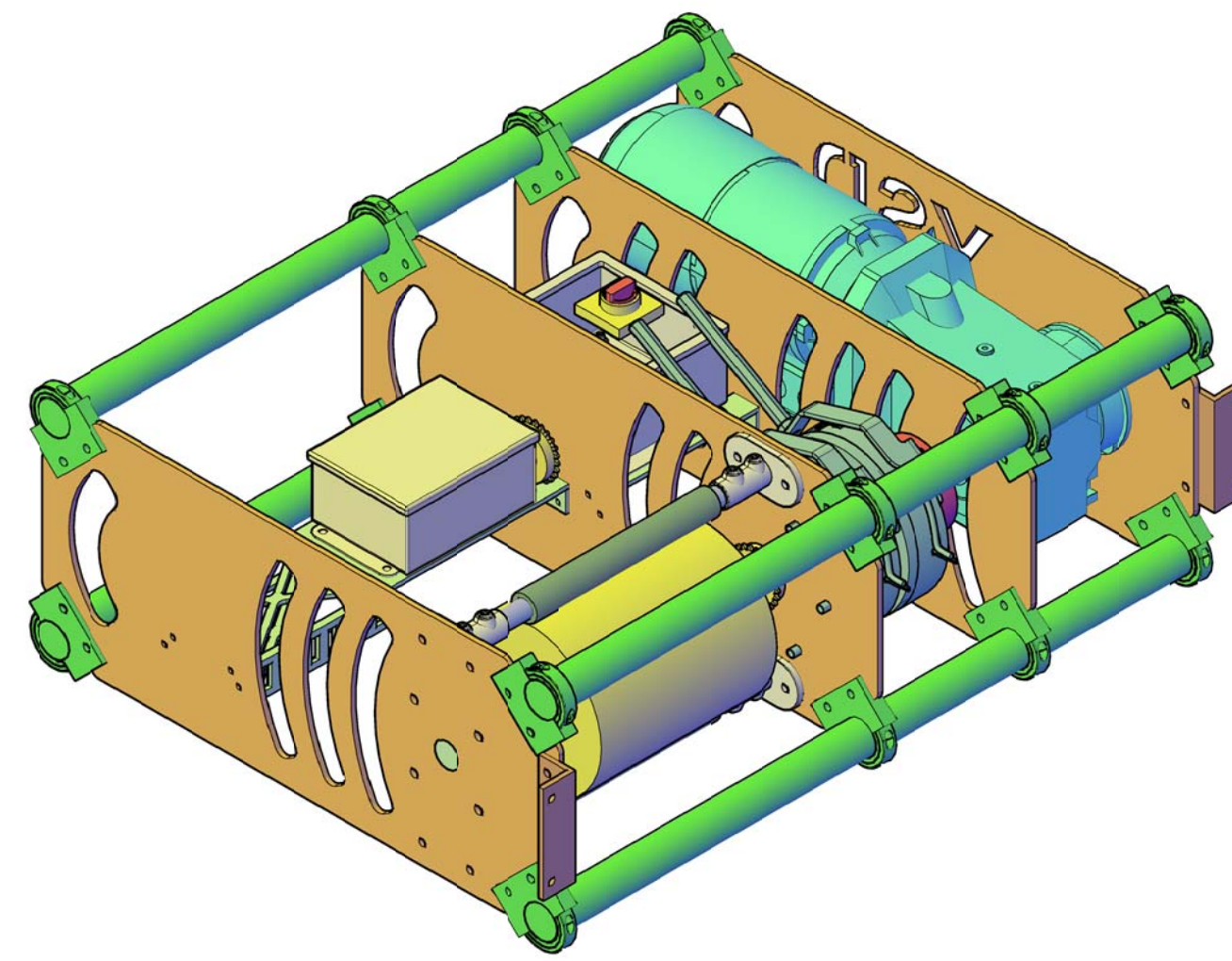


NOTES:

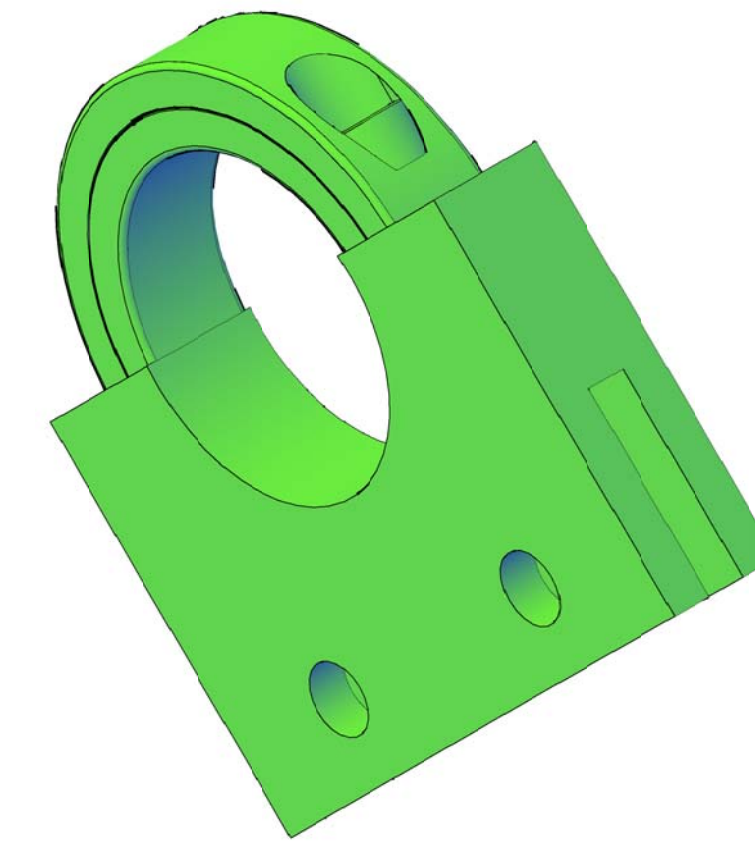
- ALL BOLTED CONNECTIONS
- FRAMING MADE OUT OF $\frac{1}{4}$ " STEEL PLATE AND $1\frac{1}{2}$ " SCH 40
- CUSTOM ENCODER MOUNT CAN HOLD A BINDER AND/OR TOOLS
- PINCH ROLLER MADE FROM TWO NARROW HEAVY DUTY FLANGES, $1\frac{1}{2}$ " OD POLYURETHANE, AND $\frac{3}{4}$ " SCH 40 PIPE
- BLACK POWDER COAT FINISH



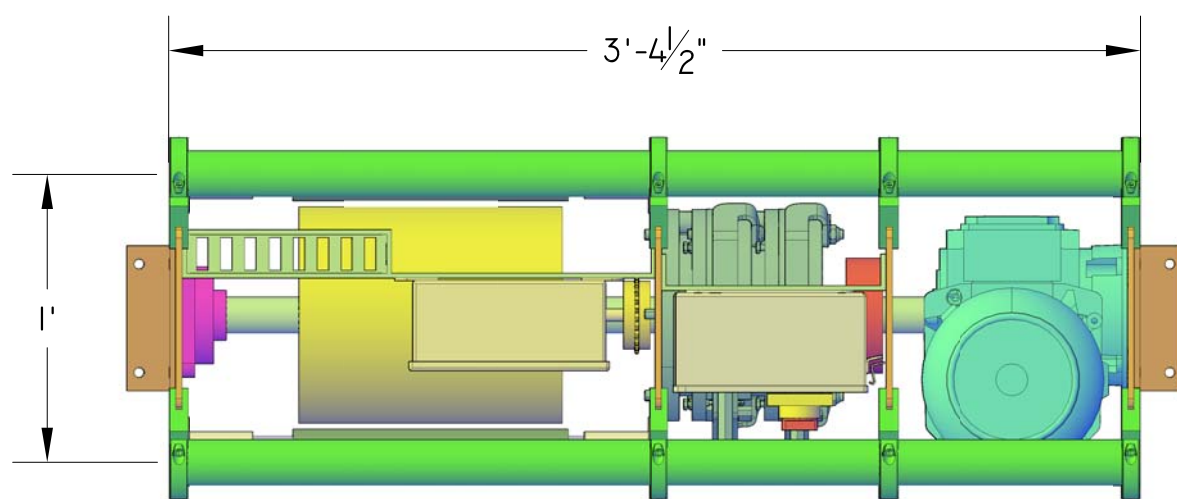
1 WINCH - OVERALL - WIREFRAME
SCALE: 1/2"=1'-0"



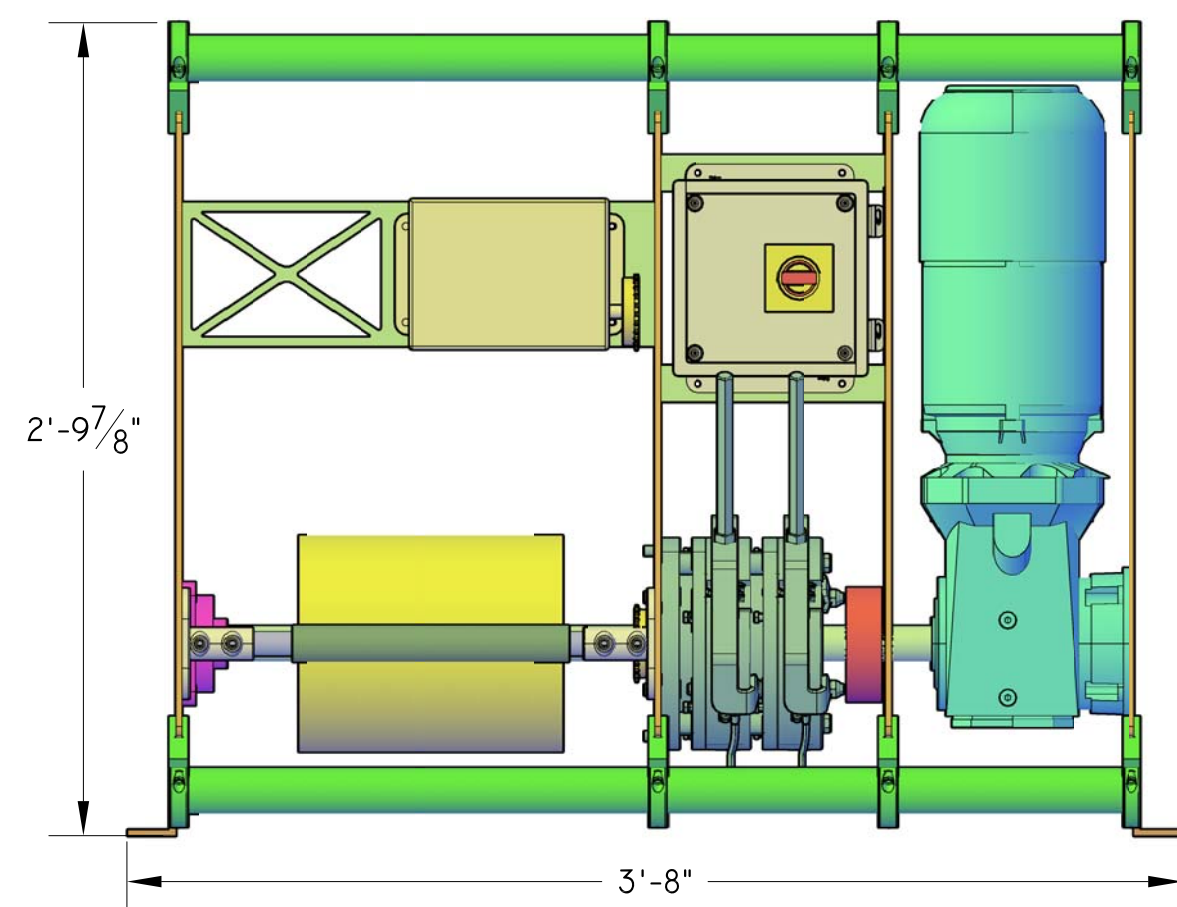
2 WINCH - OVERALL - CONCEPTUAL
SCALE: 1/2"=1'-0"



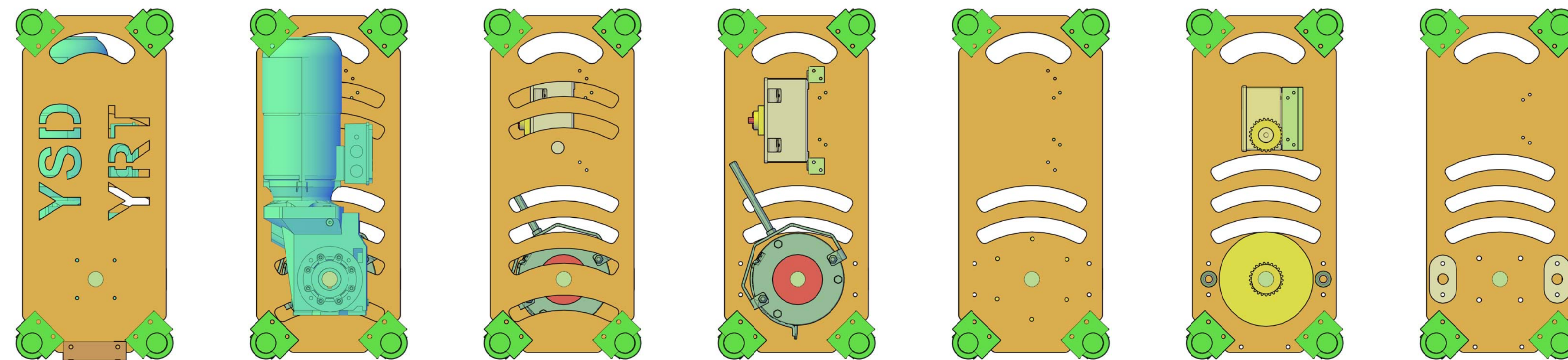
3 SHAFT COLLAR AND CUSTOM BRACKET
SCALE: 1'-0"=1'-0"



4 TOP VIEW
SCALE: 1/2"=1'-0"



5 FRONT VIEW
SCALE: 1/2"=1'-0"



6 SECTION VIEWS
SCALE: 1/2"=1'-0"

309A - MECH DESIGN

LIFTING WINCH

DIRECTOR:	
DESIGNER:	
TECH DIRECTOR:	
DRAFTER: KRYSTIN MATSUMOTO	
SCALE: AS NOTED	
DATE: OCTOBER 29, 2015	000-01
REVDATE: 10/28/15 PLOTDATE: 12/8/15	
SHOW CODE:	